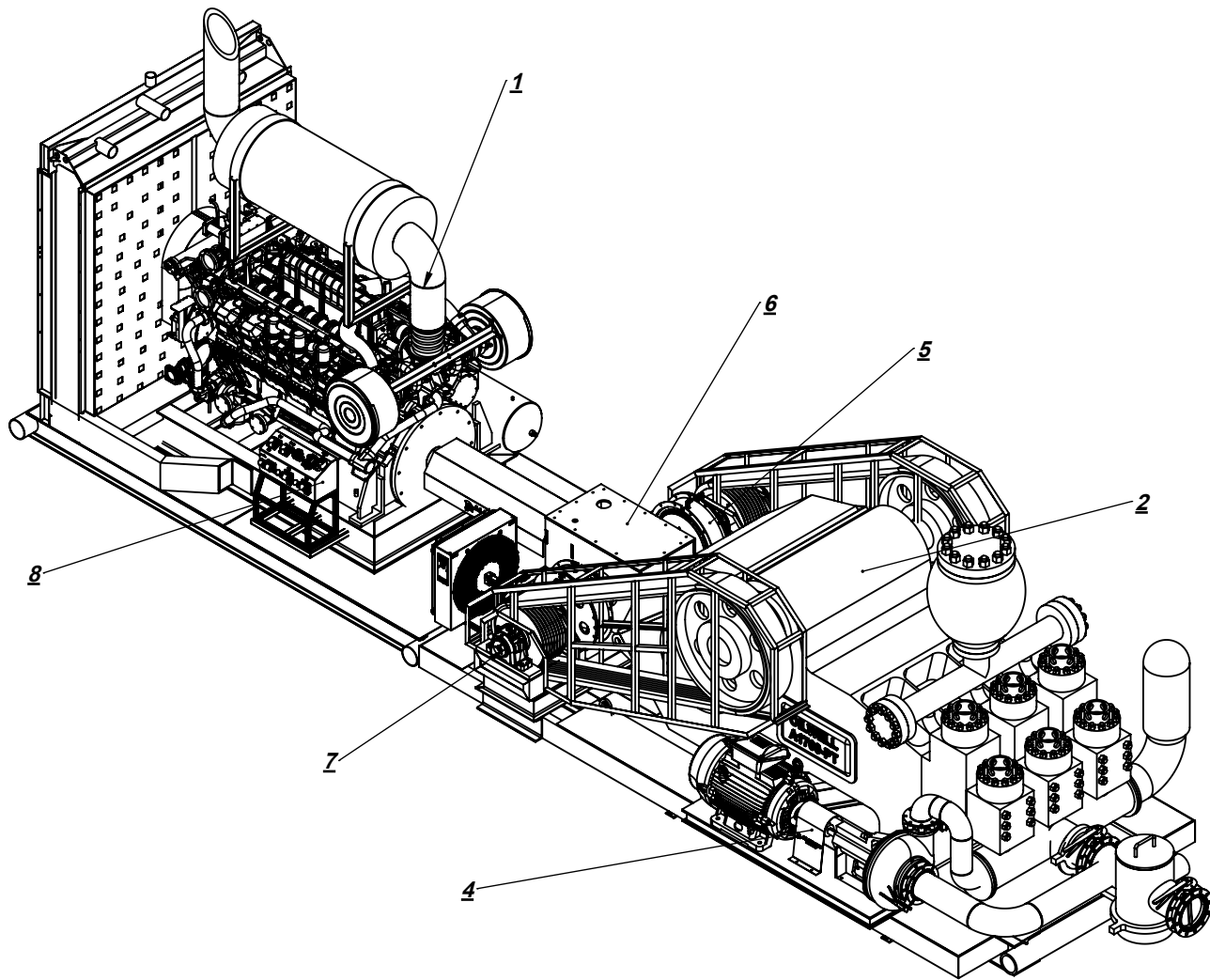
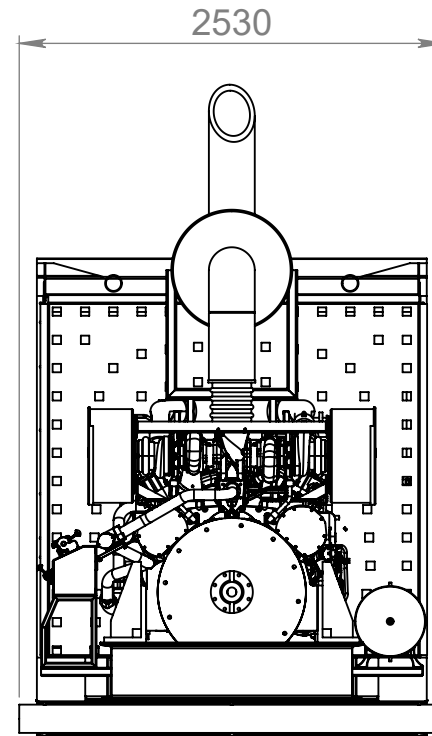
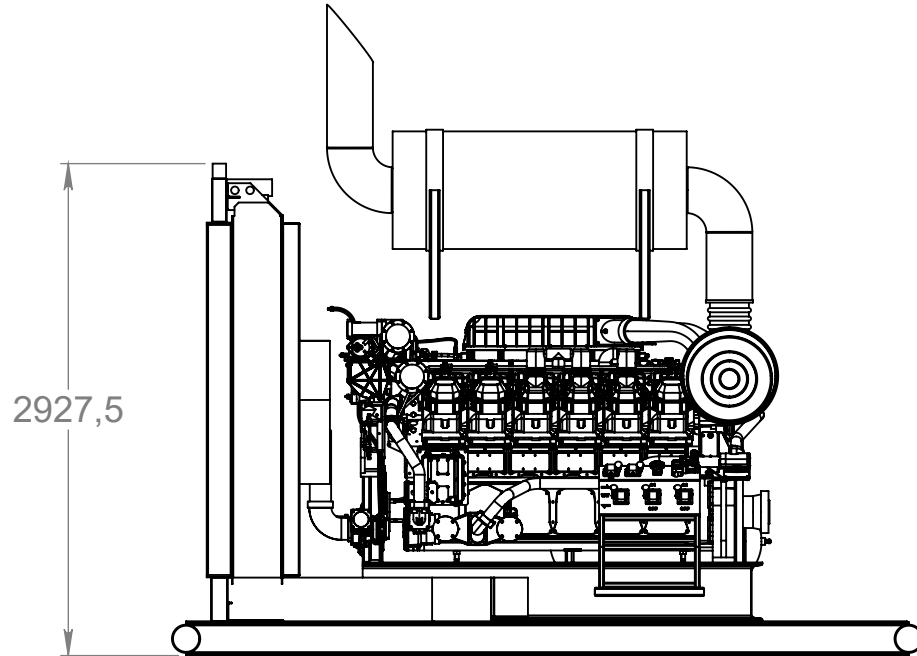
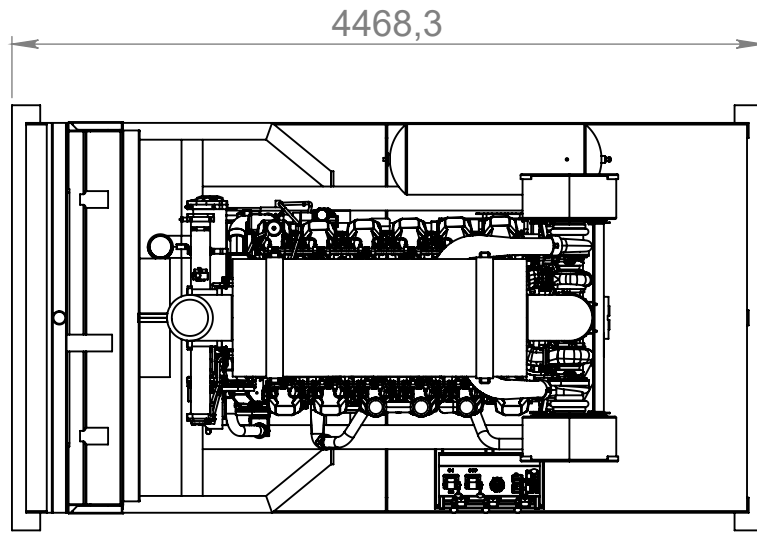


		CUSTOMER			DRAWING NO		3512-A1700 SASE MONTAJI-V05-TR-2023			
		DRAWN BY/DATE :	2.05.2023		DRAWING NAME					
		CHECKED BY/DATE :	2.05.2023		PROJECT NAME					
		UNLESS OTHERWISE SPECIFIED DIMENSIONS ARE IN MILLIMETERS (MM)	<b>TOLERANCES</b> TS 1980-1 EN 22768-1- TS 1980-2 EN 22768-2- AWS.D1.1 2015 TS EN ISO 13920-/		VERSION					
					PAGE NO		1/5			
					SHEET SCALE		1:100 A4		WEIGHT(kg)	
								0.00		

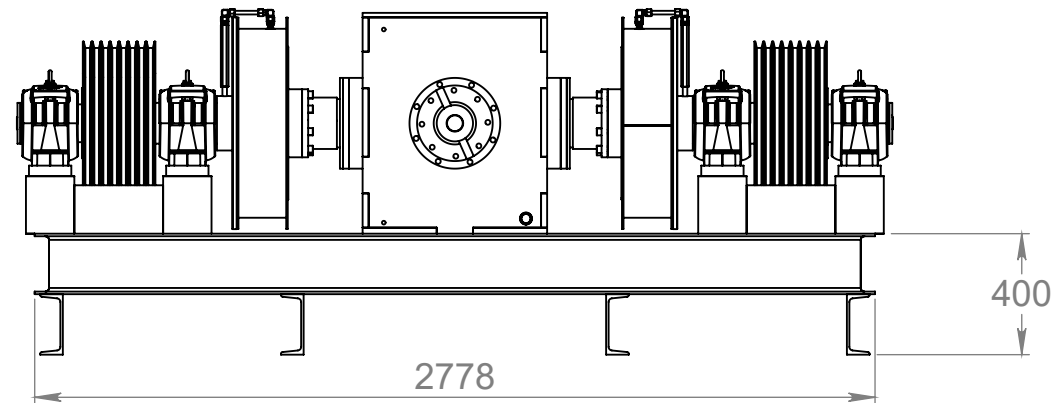
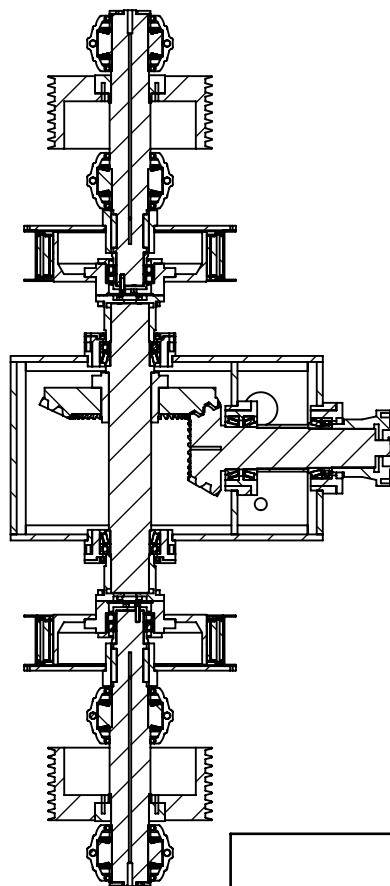
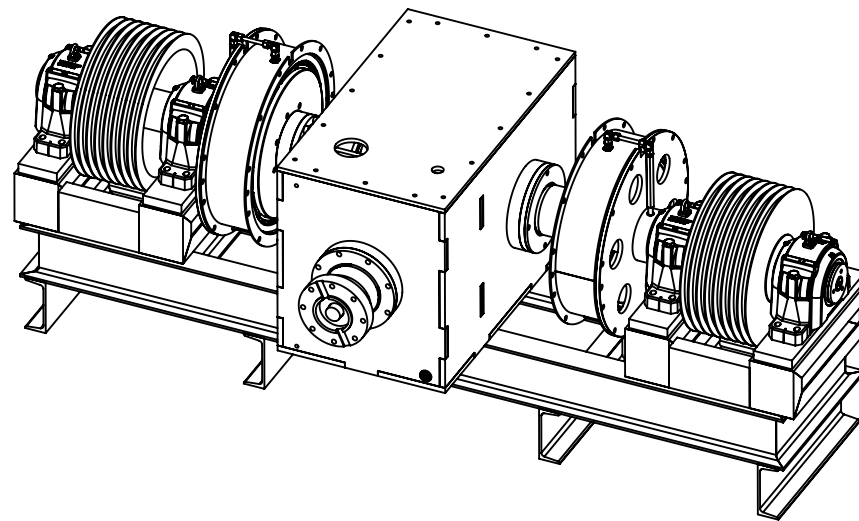
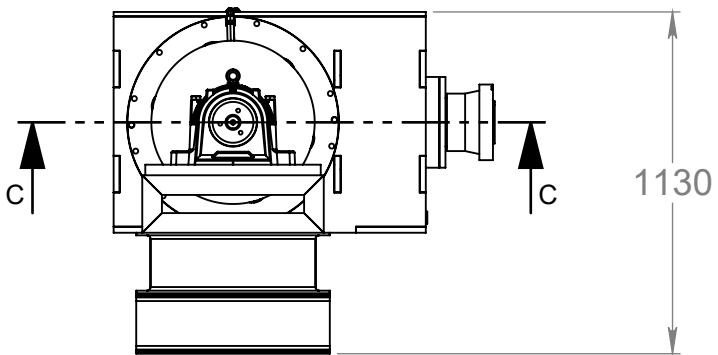


NO	MATERIAL LIST
1	CATERPILLAR 3512
2	OILWELL A1700 PT
3	PULSATION DAMPENER HYDRILL
4	NOV MISSION MAGNUM 8X6X14
5	20CB500 AIR CLUTCH
6	SPIRAL BEVEL GEAR CASE
7	BEARING
8	CONTROL PANEL

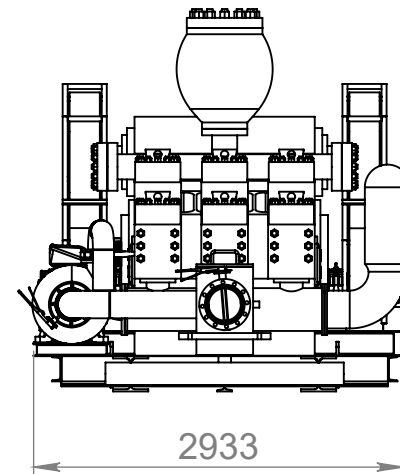
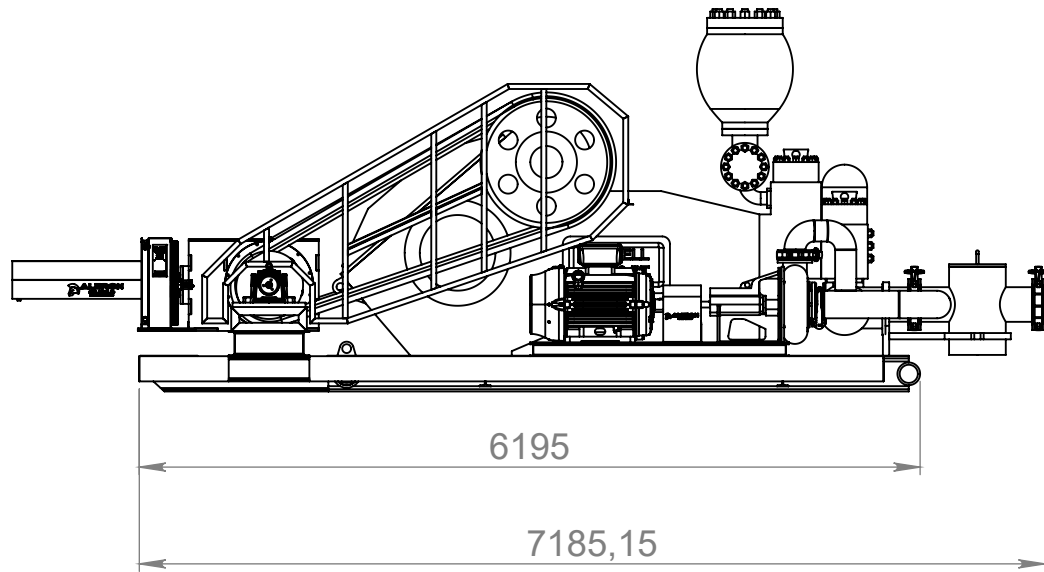
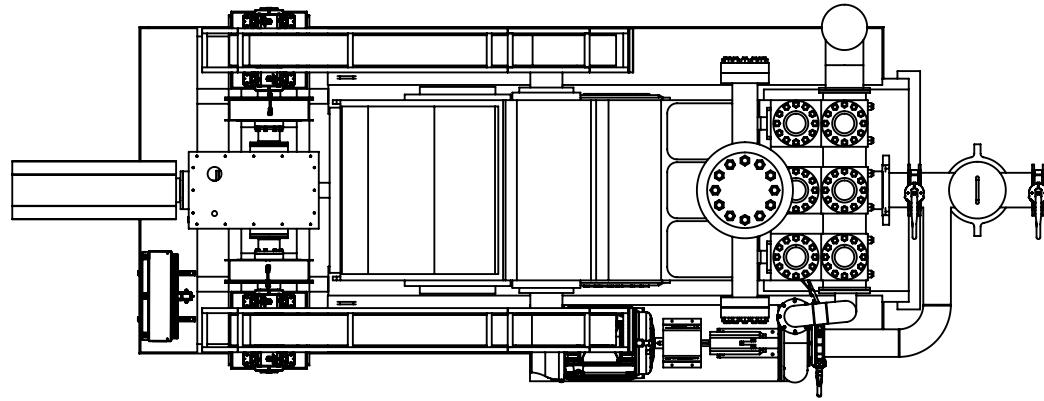
CUSTOMER				DRAWING NO		3512-A1700 SASE MONTAJI-V05-TR-2023	
DRAWN BY/DATE :		2.05.2023		DRAWING NAME			
CHECKED BY/DATE :		2.05.2023		PROJECT NAME			
UNLESS OTHERWISE SPECIFIED DIMENSIONS ARE IN MILLIMETERS (MM)		<b>TOLERANCES</b> TS 1980-1 EN 22768-1- TS 1980-2 EN 22768-2- AWS.D1.1 2015 TS EN ISO 13920-/		VERSION			
				PAGE NO		2/5	
				SHEET SCALE		1:100 A4	



CUSTOMER				DRAWING NO		3512-A1700 ENGINE SASE MONTAJ-V05-TR-2023		
DRAWN BY/DATE :		2.05.2023		DRAWING NAME				
CHECKED BY/DATE :		2.05.2023		PROJECT NAME				
	UNLESS OTHERWISE SPECIFIED DIMENSIONS ARE IN MILLIMETERS (MM)		<b>TOLERANCES</b> TS 1980-1 EN 22768-1- TS 1980-2 EN 22768-2- AWS.D1.1 2015 TS EN ISO 13920-/		VERSION			
					PAGE NO		3/5	
					SHEET SCALE		1:100 A4	



CUSTOMER				DRAWING NO		3512A1700-005-RMAY-000-V02-V05-TR-2023		
DRAWN BY/DATE :		2.05.2023		DRAWING NAME				
CHECKED BY/DATE :		2.05.2023		PROJECT NAME				
	UNLESS OTHERWISE SPECIFIED DIMENSIONS ARE IN MILLIMETERS (MM)		TOLERANCES TS 1980-1 EN 22768-1- TS 1980-2 EN 22768-2- AWS.D1.1 2015 TS EN ISO 13920-/		VERSION			
			PAGE NO		4/5			
			SHEET SCALE		1:50 A4			



		CUSTOMER		DRAWING NO		A1700 MUD PUMP ASS	
		DRAWN BY/DATE :		2.05.2023	DRAWING NAME		
		CHECKED BY/DATE :		2.05.2023	PROJECT NAME		
		UNLESS OTHERWISE SPECIFIED DIMENSIONS ARE IN MILLIMETERS (MM)	TOLERANCES TS 1980-1 EN 22768-1- TS 1980-2 EN 22768-2- AWS.D1.1 2015 TS EN ISO 13920-/		VERSION		
			PAGE NO	5/5			
			SHEET SCALE	1:100 A4			