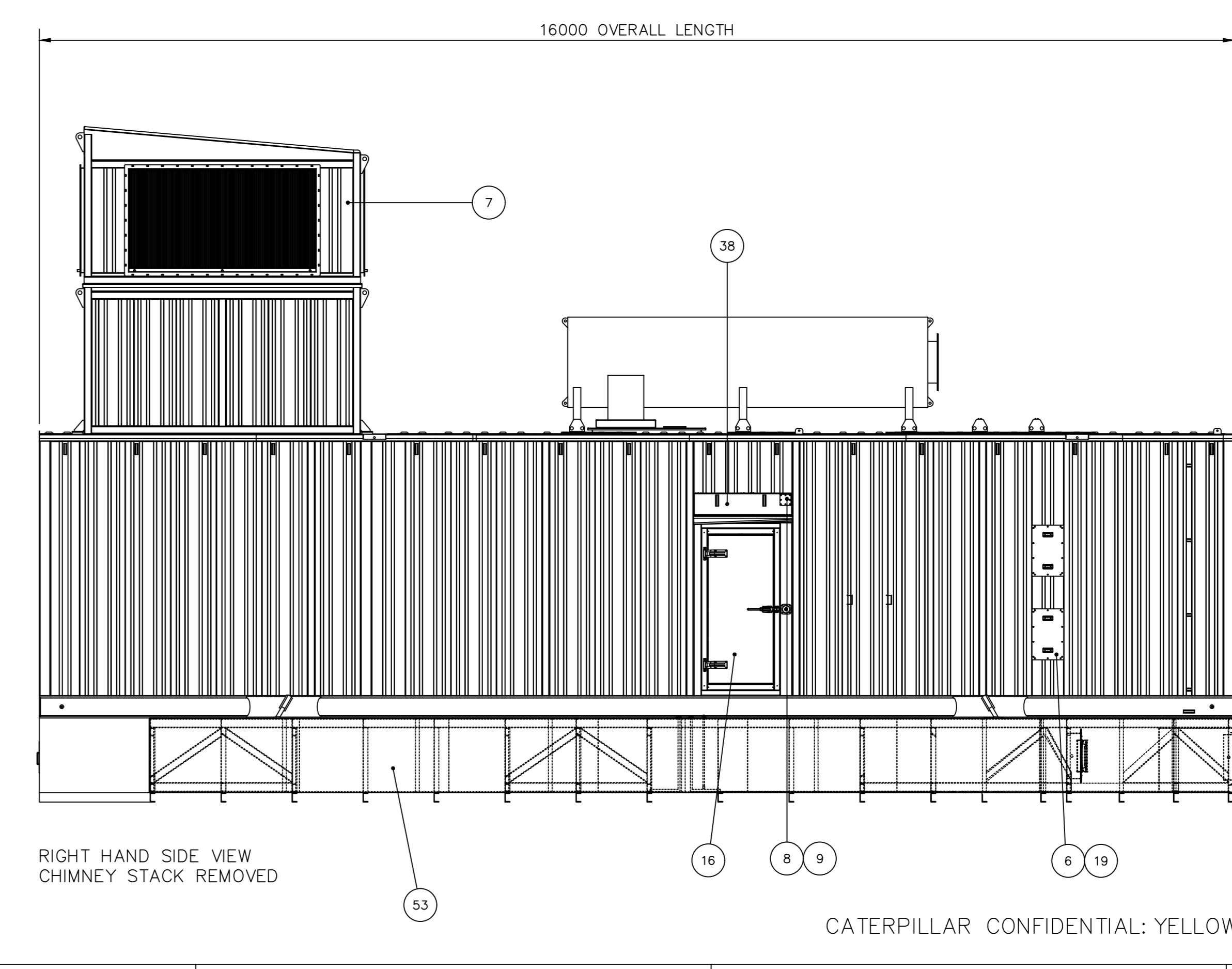
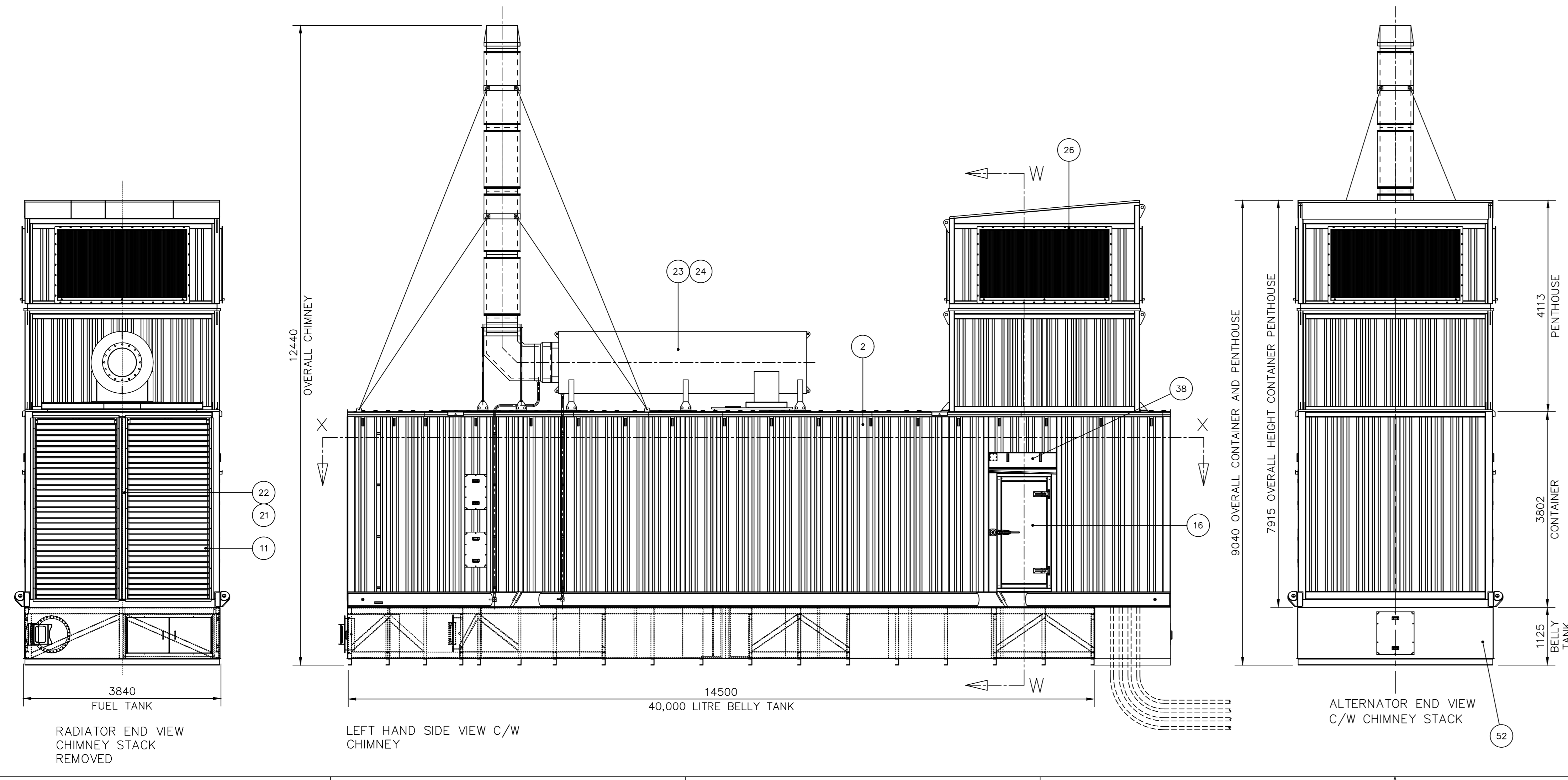
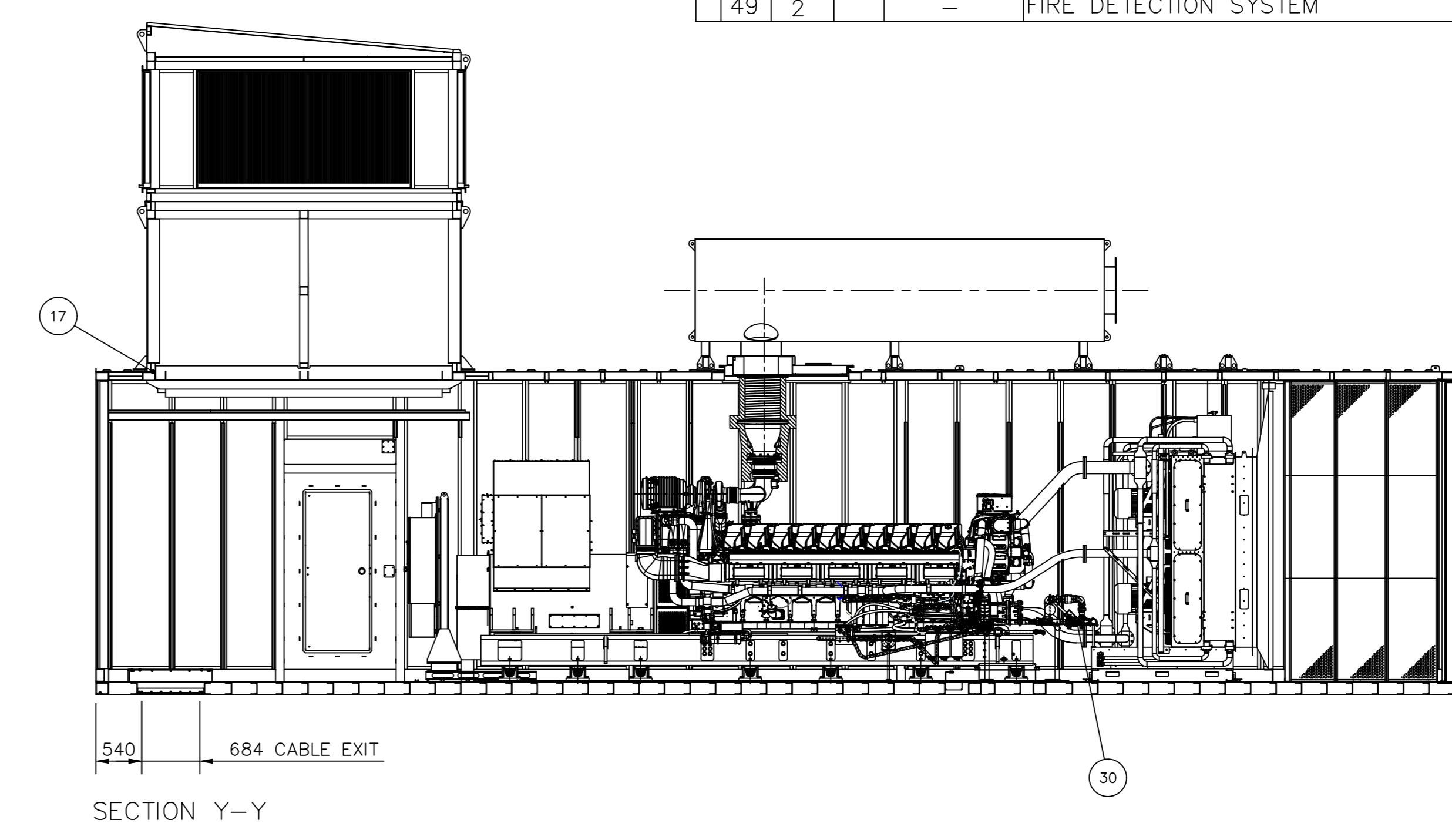
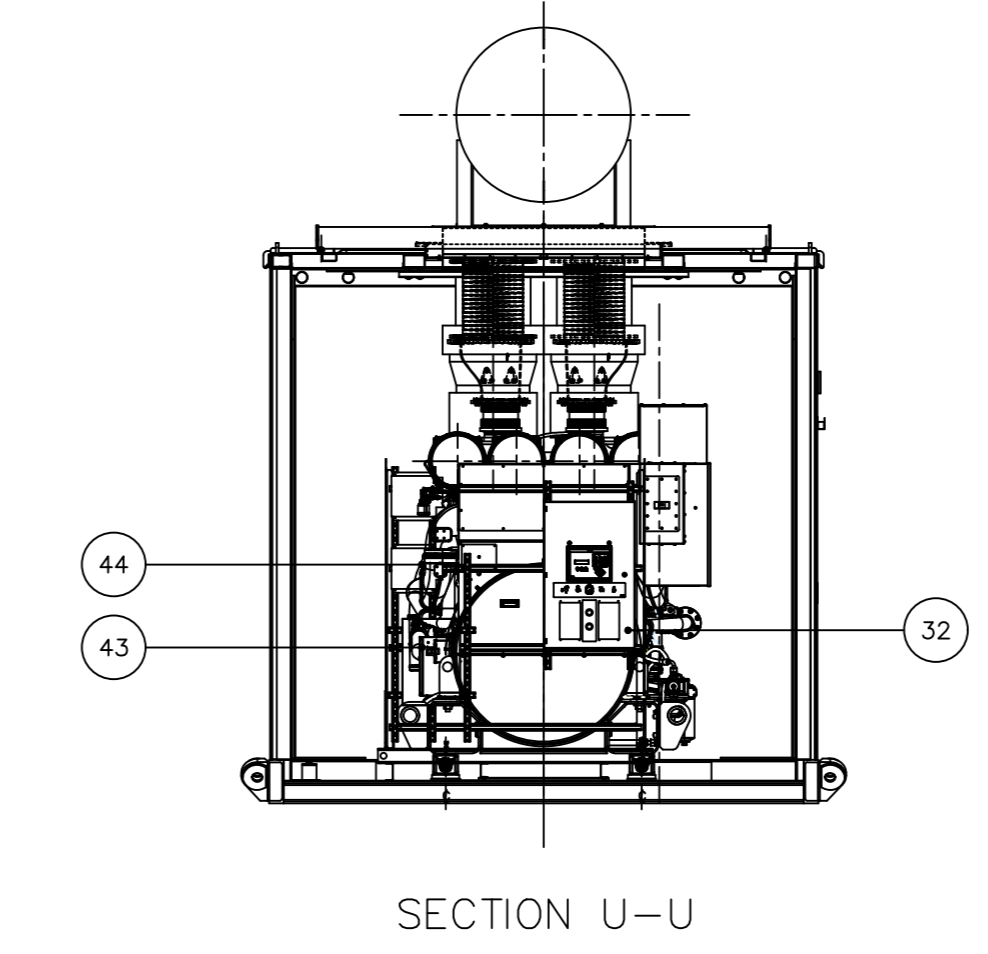
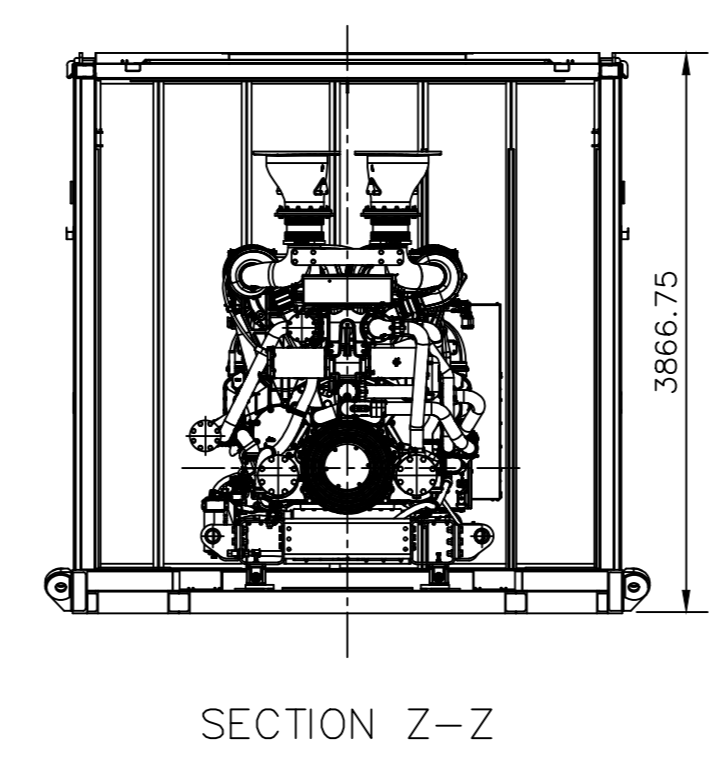


ITEM	QTY	UNIT	PART NO.	NAME	MATERIAL	FINISHED DIMS
PARTS LIST						
50	2		522-0870	TRANSPORT BRACKETS	SEE DETAIL DWG	
51	2		522-0871	TRANSPORT BRACKETS	SEE DETAIL DWG	
52	1		-	CABLE EXIT SHROUD	SEE DETAIL DWG	
53	1		-	BELLY FUEL TANK 40,000LTR	-	PURCHASED BY OTHERS

NOTE:-
 1. QUANTITIES SHOWN ARE FOR 1-OFF C175-20 CONTAINER.
 2. MASS:-59,560kg MASS:- C/W OIL/WATER

ITEM	QTY	UNIT	PART NO.	NAME	MATERIAL	FINISHED DIMS
PARTS LIST						
1	1		513-0001	C175-20 GENSET SR5 4868 ALT	LF2571	
2	1		513-0003	TUNNEL AS	SEE DETAIL DWG	
3	2		513-0045	INLET M/LOUVRE	SEE DETAIL DWG	PURCHASED
4	1		513-0051	GLAND PLATE	SEE DETAIL DWG	
5	1		513-0066	EXHAUST PANEL AS	SEE DETAIL DWG.	
6	4		515-9061	ACCESS PANEL	SEE DETAIL DWG	
7	1		513-0052	INLET PENTHOUSE	SEE DETAIL DWG	
8	4		516-0557	GLAND PLATE	SEE DETAIL DWG	
9	4		516-0558	DOOR GLAND PLATE HEADER GASKET	SEE DETAIL DWG	PURCHASED
10	2		516-0559	GLAND PLATE	SEE DETAIL DWG	
11	2		516-3592	LOUVRE AS	SEE DETAIL DWG	
12	1		516-3595	OUTLET SPLITTER TRAY	SEE DETAIL DWG.	
13	1		516-3597	OUTLET SPLITTER TRAY	SEE DETAIL DWG.	
14	22		516-3598	OUTLET SPLITTER	SEE DETAIL DWG	
15	11		516-3601	OUTLET SPLITTER	SEE DETAIL DWG.	
16	2		516-7050	100mm DOOR	SEE DETAIL DWG.	
17	1		516-8789	GASKET	SEE DETAIL DWG	PURCHASED
18	1		516-8792	GASKET	SEE DETAIL DWG	PURCHASED
19	4		516-8793	GASKET	SEE DETAIL DWG	PURCHASED
20	1		521-0106	EXHAUST PIPE WORK INSULATION	-	PURCHASED
21	2		517-0441	MOUNTING PAD	SEE DETAIL DWG	
22	1		517-0443	LOUVRE BEAM	SEE DETAIL DWG	
23	1		513-0059	EXHAUST SYSTEM	SEE DETAIL DWG	
24	2		516-3605	16" FLEXIBLE	SEE DETAIL DWG	
25	1		510-7151	20 CYLINDER RADIATOR	SEE DETAIL DWG	
26	4		510-7150	MOISTURE ELIMINATORS	SEE DETAIL DWG	PURCHASED
27	1		510-9381	RADIATOR TOP UP GROUP	SEE DETAIL DWG	
28	1		510-7128	PVC TRANSITION	SEE DETAIL DWG	PURCHASED
29	1		516-8795	GUTTERING BRACKET GROUP	SEE DETAIL DWG	PURCHASED
30	1		512-2982	FUEL SCHEMATIC	SEE DETAIL DWG	
31	3		510-7129	CABLE LADDER SUPPORT	SEE DETAIL DWG	
32	1		516-3604	FREE STANDING PANEL STAND	SEE DETAIL DWG	
33	6		515-2855	STANDARD LIGHTING		
34	4		515-2856	EMERGENCY LIGHTING		
35	3		259-3099	BATTERIES	SEE DETAIL DWG	
36	3		350-2551	BATTERY TRAYS	SEE DETAIL DWG	
37	2		454-9482	BATTERY CABLES	SEE DETAIL DWG	
38	1		-	OUTSIDE LIGHTS	-	PURCHASED
39	2		459-7783	DISTRIBUTION BOARD	SEE DETAIL DWG	
40	1		514-3578	MCC PANEL	SEE DETAIL DWG	
41	1		516-5206	EARTH BAR	SEE DETAIL DWG	
42	1		515-2866	6KW HEATER	-	PURCHASED
43	1		515-2868	DIODE BOX	SEE DETAIL DWG	
44	1		286-0177	BATTERY CHARGER	SEE DETAIL DWG	
45	14		497-9051	AVM	SEE DETAIL DWG	
46	14		516-8805	AVM MOUNTING PAD	SEE DETAIL DWG	
47	1		511-7778	SWITCHBOARD 5000A	-	PURCHASED
48	1		-	FIRE DETECTION PANELS	-	PURCHASED
49	2		-	FIRE DETECTION SYSTEM	-	PURCHASED



NOTE:-
 PLEASE REFER TO
 ONSITE UPFIT DOCUMENT:-
 ONSITE INSTRUCTIONS REV 01

APPD SUP	
A SPEC DESCRIPTION	1E2733 DRAWING-AUTOCAD
1E0013 Y CONFIDENTIALITY	
1E0011 INTPR & TOL	
1 SPEC NO. NAME	
DRN D.CLELAND	
CHK	
APPD C.MARTIN	
CONTR	EXP PRE PROD
CUSTOM PROD.	
UNLESS OTHERWISE SPECIFIED DIMENSIONS ARE IN mm DIMENSIONS W/O TOL ARE BASIC	
SCALE 1:50	19/12/16
SHEET 1 OF 1	THIRD ANGLE PROJECTION
CATERPILLAR INC.	
THE INFORMATION HEREIN IS THE PROPERTY OF CATERPILLAR INC AND/OR ITS SUBSIDIARIES. WITHOUT WRITTEN PERMISSION, ANY COPYING, TRANSMISSION, TO OTHERS, AND USE EXCEPT THAT FOR WHICH IT IS ISSUED IS PROHIBITED.	
CLN1 C175-20	GENERAL AR
512-5598	1:50